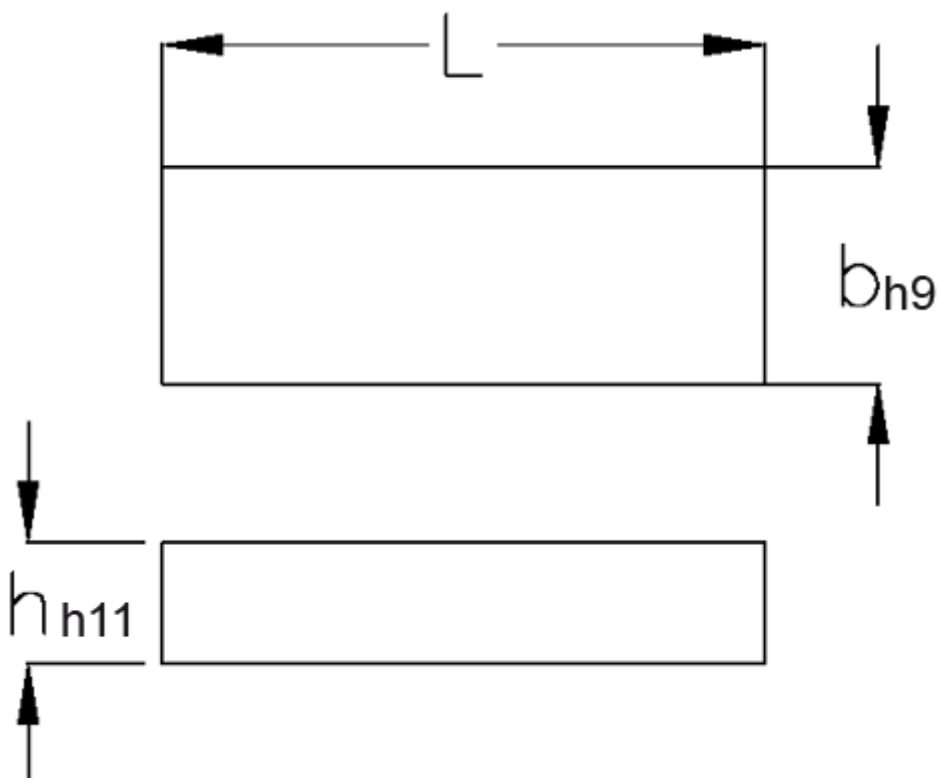


Article number: 0906161035

Description: KLEE Feather keys B 16x10x35 DIN 6885

## Measures

---



b = 16

h = 10

L = 35

Tolerance b = 0.043

Tolerance h = 0.090

Tolerance L = -0,3